

SANTO 75438-1 KG

User manual

Fridge-Freezer

Thank you for choosing one of our high-quality products.

To ensure optimal and regular performance of your appliance please read this instruction manual carefully. It will enable you to navigate all processes perfectly and most efficiently. To refer to this manual any time you need to, we recommend you to keep it in a safe place. And please pass it to any future owner of the appliance.

We wish you much joy with your new appliance.

Contents

Safety information	3	Ice-cube production	11
Children and vulnerable people safety		Thawing	12
General safety	3	Movable shelves	12
Daily Use	4	Positioning the door shelves	13
Care and cleaning	4	Bottle rack	13
Installation	4	Vegetable drawer with humidity control	13
Service	5	Helpful hints and tips	14
Control panel	5	Hints for energy saving	14
Switching on	6	Hints for fresh food refrigeration	14
Switching off	6	Hints for refrigeration	14
Temperature setting buttons	6	Hints for freezing	14
Temperature regulation	7	Hints for storage of frozen food	15
Temperature indicators	7	Care and cleaning	15
MODE button	7	Periodic cleaning	15
Display	8	Replacing the Taste Guard filter	15
RESET switch	8	Defrosting of the refrigerator	16
SHOPPING Function	8	Defrosting of the freezer	17
FROSTMATIC function	8	Periods of non-operation	17
COOLMATIC function	9	What to do if...	17
FROSTMATIC and COOLMATIC functions		Replacing the lamp	19
HOLIDAY function	9	Closing the door	19
High temperature alarm for freezer compartment	10	Technical data	19
High temperature alarm for fridge compartment	10	Installation	20
First use	10	Location	20
Cleaning the interior	10	Positioning	20
Daily use	11	Electrical connection	21
Freezing fresh food	11	Rear spacers	21
Storage of frozen food	11	Installation of the Taste Guard Filter	21
Freezing Calendar	11	Fitting the door handles	22
		Door reversibility	22
		Environmental concerns	22



Safety information

In the interest of your safety and to ensure the correct use, before installing and first using the appliance, read this user manual carefully, including its hints and warnings. To avoid unnecessary mistakes and accidents, it is important to ensure that all people using the appliance are thoroughly familiar with its operation and safety features. Save these instructions and make sure that they remain with the appliance if it is moved or sold, so that everyone using it through its life will be properly informed on appliance use and safety. For the safety of life and property keep the precautions of these user's instructions as the manufacturer is not responsible for damages caused by omission.

Children and vulnerable people safety

- This appliance is not intended for use by persons (including children) with reduced physical, sensory or mental capabilities, or lack of experience and knowledge, unless they have been given supervision or instruction concerning use of the appliance by a person responsible for their safety.
Children should be supervised to ensure that they do not play with the appliance.
- Keep all packaging well away from children. There is risk of suffocation.
- If you are discarding the appliance pull the plug out of the socket, cut the connection cable (as close to the appliance as you can) and remove the door to prevent playing children to suffer electric shock or to close themselves into it.
- If this appliance featuring magnetic door seals is to replace an older appliance having a spring lock (latch) on the door or lid, be sure to make that spring lock unusable before you discard the old appliance. This will prevent it from becoming a death trap for a child.

General safety



CAUTION!

Keep ventilation openings clear of obstruction.

- The appliance is intended for keeping foodstuff and/or beverages in a normal household as explained in this instruction booklet.
- Do not use a mechanical device or any artificial means to speed up the thawing process.
- Do not use other electrical appliances (such as ice cream makers) inside of refrigerating appliances, unless they are approved for this purpose by the manufacturer.
- Do not damage the refrigerant circuit.
- The refrigerant isobutane (R600a) is contained within the refrigerant circuit of the appliance, a natural gas with a high level of environmental compatibility, which is nevertheless flammable.

During transportation and installation of the appliance, be certain that none of the components of the refrigerant circuit become damaged.

If the refrigerant circuit should become damaged:

- avoid open flames and sources of ignition
- thoroughly ventilate the room in which the appliance is situated

- It is dangerous to alter the specifications or modify this product in any way. Any damage to the cord may cause a short-circuit, fire and/or electric shock.

**WARNING!**

Any electrical component (power cord, plug, compressor) must be replaced by a certified service agent or qualified service personnel.

1. Power cord must not be lengthened.
 2. Make sure that the power plug is not squashed or damaged by the back of the appliance. A squashed or damaged power plug may overheat and cause a fire.
 3. Make sure that you can come to the mains plug of the appliance.
 4. Do not pull the mains cable.
 5. If the power plug socket is loose, do not insert the power plug. There is a risk of electric shock or fire.
 6. You must not operate the appliance without the lamp cover¹⁾ of interior lighting.
- This appliance is heavy. Care should be taken when moving it.
 - Do not remove nor touch items from the freezer compartment if your hands are damp/wet, as this could cause skin abrasions or frost/freezer burns.
 - Avoid prolonged exposure of the appliance to direct sunlight.

Daily Use

- Do not put hot pot on the plastic parts in the appliance.
- Do not store flammable gas and liquid in the appliance, because they may explode.
- Do not place food products directly against the air outlet on the rear wall.²⁾
- Frozen food must not be re-frozen once it has been thawed out.
- Store pre-packed frozen food in accordance with the frozen food manufacturer's instructions.
- Appliance's manufacturers storage recommendations should be strictly adhered to. Refer to relevant instructions.
- Do not place carbonated or fizzy drinks in the freezer compartment as it creates pressure on the container, which may cause it to explode, resulting in damage to the appliance.
- Ice lollies can cause frost burns if consumed straight from the appliance.

Care and cleaning

- Before maintenance, switch off the appliance and disconnect the mains plug from the mains socket. If you cannot come to the mains socket, interrupt the power supply.
- Do not clean the appliance with metal objects.
- Do not use sharp objects to remove frost from the appliance. Use a plastic scraper.
- Regularly examine the drain in the refrigerator for defrosted water. If necessary, clean the drain. If the drain is blocked, water will collect in the bottom of the appliance.

Installation



For electrical connection carefully follow the instructions given in specific paragraphs.

1) If the lamp cover is foreseen

2) If the appliance is Frost Free

- Unpack the appliance and check if there are damages on it. Do not connect the appliance if it is damaged. Report possible damages immediately to the place you bought it. In that case retain packing.
- It is advisable to wait at least four hours before connecting the appliance to allow the oil to flow back in the compressor.
- Adequate air circulation should be around the appliance, lacking this leads to overheating. To achieve sufficient ventilation follow the instructions relevant to installation.
- Wherever possible the back of the product should be against a wall to avoid touching or catching warm parts (compressor, condenser) to prevent possible burn.
- The appliance must not be located close to radiators or cookers.
- Make sure that the mains plug is accessible after the installation of the appliance.
- Connect to potable water supply only.³⁾

Service

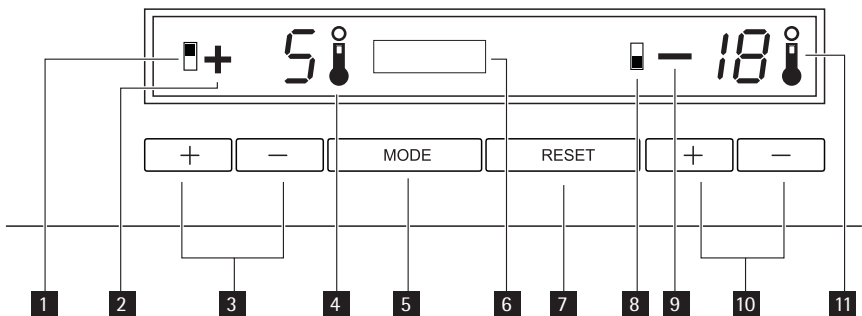
- Any electrical work required to do the servicing of the appliance should be carried out by a qualified electrician or competent person.
- This product must be serviced by an authorized Service Centre, and only genuine spare parts must be used.

Environment Protection



This appliance does not contain gasses which could damage the ozone layer, in either its refrigerant circuit or insulation materials. The appliance shall not be discarded together with the urban refuse and rubbish. The insulation foam contains flammable gases: the appliance shall be disposed according to the applicable regulations to obtain from your local authorities. Avoid damaging the cooling unit, especially at the rear near the heat exchanger. The materials used on this appliance marked by the symbol ♻ are recyclable.

Control panel



1 Fridge compartment indicator

3) If a water connection is foreseen

- 2 Fridge temperature indicator
- 3 Buttons for setting fridge temperature
- 4 Fridge thermometer indicator (with COOLMATIC)
- 5 MODE button
- 6 Display
- 7 RESET switch
- 8 Freezer compartment indicator
- 9 Freezer temperature indicator
- 10 Buttons for setting freezer temperature
- 11 Freezer thermometer indicator (with FROSTMATIC)

Switching on

Plug the plug into the power outlet.

The display is illuminated, the appliance is on.

As soon as the appliance is turned on, it is in alarm condition, the temperature flashes and you will hear a buzzer.

Press the RESET switch and the buzzer will go off (refer to "High temperature alarm") and on the temperature indicator will appear the warmest temperature reached.

For a correct storage of the food the following temperatures should be set:

+5°C in the fridge

-18°C in the freezer

To select a different temperature refer to "Temperature regulation".



Wait until the inside compartment temperature reach -18°C, before introducing the goods in the freezer compartment.

Switching off

To switch the appliance off do these steps:

1. Remove the mains plug.

If the appliance is not going to be used for an extended period:

1. Remove the mains plug or turn out the circuit breaker or fuse.
2. Defrost and clean the appliance thoroughly.
3. Finally, leave the doors open so as to avoid a build up of odours.

Temperature setting buttons

The temperature is adjusted using the temperature setting buttons. These buttons are connected to the temperature indicator.

- The temperature indicator is switched over from the indicator of the ACTUAL temperature (Temperature indicator is illuminated) to the indicator of the DESIRED temperature (Temperature indicator flashes) by pressing one of the Temperature setting buttons.
- Each time one of the two buttons is pressed again the DESIRED temperature is adjusted by 1°C. The DESIRED temperature must be reached within 24 hours.

If neither button is pressed, the temperature indicator automatically switches back after a short period (approx. 5 sec.) to the indicator of the ACTUAL temperature.

DESIRED temperature means:

The temperature that has been selected for inside the fridge or the freezer. The DESIRED temperature is indicated by flashing numbers.

ACTUAL temperature means:

The temperature indicator shows the current temperature inside the fridge or the freezer. The ACTUAL temperature is indicated with illuminated numbers.

Temperature regulation

To operate the appliance, proceed as follows:

1. Set the required temperature by pressing the corresponding temperature regulator. The temperature indicator will immediately show the changed setting (DESIRED temperature) and the temperature indicator flashes.
2. Each time the temperature regulator is pressed the DESIRED temperature is adjusted by 1 °C. The DESIRED temperature must be reached within 24 hours.
3. Once the required temperature has been set, after a short period (approx. 5 sec.) the temperature indicator will show again the current ACTUAL temperature inside the corresponding compartment. The temperature indicator will change from flashing to continuous illumination.

For a correct storage of the food the following temperatures should be set:

- +5 °C in the fridge
- -18 °C in the freezer.



When the setting is changed, the compressor does not start immediately if automatic defrosting is currently taking place. As the storage temperature within the fridge is reached quickly you can store food immediately after switching on.

Temperature indicators

The temperature indicators can indicate several pieces of information.

- During normal operation, the temperature currently present in the fridge (ACTUAL temperature) is displayed.
- In the freezer the warmest temperature is displayed (ACTUAL temperature). When fully filled, the warmest zone is normally located at the top in the front area of the freezer. Depending upon how the section is filled, the temperatures are lower in other areas of the freezer.
- When the temperature is being adjusted a flashing display indicates the fridge or the freezer temperature currently set (DESIRED temperature).



When changing the temperature setting wait about 24 hours until the temperature display has stabilised.

If there is a fault in the appliance the temperature indicator shows:

- a square or a letter in the temperature indicator of the fridge for a fault in the fridge,
- a square or a letter in the temperature indicator of the freezer for a fault in the freezer.

MODE button

Different operating modes can be set using the MODE button.

The following operating modes can be selected:

- SHOPPING
- FROSTMATIC
- COOLMATIC

- FROSTMATIC and COOLMATIC
- HOLIDAY

Display

Different operating modes can be set using the MODE button.

The following operating modes can be selected:

- SHOPPING, FROSTMATIC , COOLMATIC , FROSTMATIC and COOLMATIC , HOLIDAY
- Alarm: TEMPERATURE when there is a temperature warning
- After power cut: POWER displayed
- Electrical fault: SERVICE displayed

RESET switch

Press the RESET switch to switch off the acoustic alarm signal and the flashing red light. If the RESET switch is activated and there is a temperature warning for the freezer , the temperature indicator will show for 5 seconds the warmest temperature the frozen food has reached.

SHOPPING Function

If you need to insert a large amount of warm food, for example after doing the grocery shopping, we suggest activating the SHOPPING function to chill the products more rapidly and to avoid warming the other food which is already in the refrigerator.

To activate the function, do these steps:

1. Press the MODE button until the SHOPPING word flashes in the display .
2. The SHOPPING word will light up after approx. 4 seconds when the operating SHOPPING mode is activated.

The SHOPPING function shuts off automatically after approximately 6 hours for the fridge. Cooling for the freezer runs for 1 hour in continuous operation.

Both thermometer indicators show a falling temperature column.

To deactivate the function:

1. Press the MODE button until the SHOPPING word goes out.

FROSTMATIC function

The FROSTMATIC function accelerates the freezing of fresh food and, at the same time, protects foodstuffs already stored from undesirable warming.

To activate the function, do these steps:

1. Press the MODE button until FROSTMATIC word flashes in the indicator.
2. The FROSTMATIC word will light up after approx. 4 seconds when the operating FROSTMATIC mode is activated.

The thermometer indicator in the display for the freezer shows a falling temperature column.

To deactivate the function:

1. Press the MODE button until the FROSTMATIC word goes out.



The FROSTMATIC function stops automatically after about 52 hours.

If the FROSTMATIC function is switched on the temperature setting may not be changed.

COOLMATIC function

The COOLMATIC function is suited for quick cooling of large quantities of goods in the refrigerator.

To activate the function, do these steps:

1. Press the MODE button until the COOLMATIC word flashes in the display.
2. The COOLMATIC word will light up after approx. 4 seconds when the operating COOLMATIC mode is activated.

The thermometer indicator in the display for the fridge shows a falling temperature column. The COOLMATIC function now provides for intensive cooling. A DESIRED temperature of +2°C is automatically selected.

The COOLMATIC function is ended automatically after a period of 6 hours.

The originally selected DESIRED temperature is again valid.

The temperature indicator shows the ACTUAL fridge temperature.

To deactivate the function:

1. Press the MODE button until the COOLMATIC word goes out.

FROSTMATIC and COOLMATIC functions

When the FROSTMATIC and COOLMATIC functions are combined, a desired temperature of +2 °C is automatically set for the fridge for 6 hours. Cooling for the freezer runs for 52 hours in continuous operation.

To activate the function, do these steps:

1. Press the MODE button until FROSTMATIC and COOLMATIC words flash in the display.
2. The FROSTMATIC and COOLMATIC words will light up after approx. 4 seconds when the operating mode FROSTMATIC and COOLMATIC are activated.

Both thermometer indicators in the display show a falling temperature column.

To deactivate the function:

1. Press the MODE button until the FROSTMATIC and COOLMATIC words go out.



The FROSTMATIC function stops automatically after about 52 hours.

The COOLMATIC function stops automatically after about 6 hours.

HOLIDAY function

The HOLIDAY function sets the temperature at approx +15°C. This function allows you to keep the refrigerator shut and empty during a long holiday period (e.g. the summer holidays) without the formation of a bad smell.

To activate the function, do these steps:

1. Press the MODE button until the HOLIDAY word flashes in the display.
2. The HOLIDAY word will light up after approx. 4 seconds when the operating mode HOLIDAY is activated.

To switch off the function, set the required temperature by pressing the fridge temperature setting buttons.



The fridge compartment must be empty when the holiday function is on.



If the HOLIDAY function is on, the door must be closed in order that the freezer is working properly.

In this condition, the electronic control of the appliance functions automatically and periodically circulated the air to prevent unpleasant smells and humidity.

To deactivate the function:

1. Press the MODE button until the HOLIDAY word goes out.

High temperature alarm for freezer compartment

An increase in the temperature in the freezer (for example due to an earlier power failure or door is open) is indicated by:

- flashing of TEMPERATURE indicator , red back light and the temperature indicator
- sounding of buzzer.

When normal conditions are restored:

- the acoustic signal shuts off
- TEMPERATURE indicator , red back light continue to flash.

Stop the alarm light and the red back light by pushing the RESET button.

For 5 seconds the temperature display for the freezer compartment shows the warmest temperature that was reached in the freezer compartment during the temperature warning.

High temperature alarm for fridge compartment

An increase in the temperature in the fridge (for example due to an earlier power failure or door is open) is indicated by:

- flashing of TEMPERATURE indicator , red back light and the temperature indicator
- sounding of buzzer.

When normal conditions are restored:

- the acoustic signal shuts off
- TEMPERATURE indicator , red back light continue to flash.

Stop the alarm light and the red back light by pushing the RESET button.

For 5 seconds the temperature display for the fridge compartment shows the warmest temperature that was reached in the fridge compartment during the temperature warning.

First use

Cleaning the interior

Before using the appliance for the first time, wash the interior and all internal accessories with lukewarm water and some neutral soap so as to remove the typical smell of a brand-new product, then dry thoroughly.



Do not use detergents or abrasive powders, as these will damage the finish.

Daily use

Freezing fresh food

The freezer compartment is suitable for freezing fresh food and storing frozen and deep-frozen food for a long time.

To freeze fresh food activate the Frostmatic function at least 24 hours before placing the food to be frozen in the freezer compartment.

Place the fresh food to be frozen in the bottom compartment.

The maximum amount of food that can be frozen in 24 hours is specified on the **rating plate**, a label located on the inside of the appliance.

The freezing process lasts 24 hours: during this period do not add other food to be frozen.

Storage of frozen food

When first starting-up or after a period out of use, before putting the products in the compartment let the appliance run at least 2 hours on the higher settings.

If large quantities of food are to be stored, remove all drawers and baskets from appliance and place food on cooling shelves to obtain the best performance.



WARNING!

Make sure that foods do not exceed the load limit stated on the side of the upper section (where applicable) ►



In the event of accidental defrosting, for example due to a power failure, if the power has been off for longer than the value shown in the technical characteristics chart under "rising time", the defrosted food must be consumed quickly or cooked immediately and then re-frozen (after cooling).

Freezing Calendar



The symbols show different types of frozen goods.

The numbers indicate storage times in months for the appropriate types of frozen goods. Whether the upper or lower value of the indicated storage time is valid depends on the quality of the foods and treating before freezing.

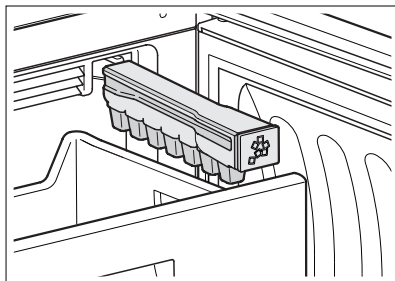
Ice-cube production

This appliance is equipped with one or more trays for the production of ice-cubes.

These are insert on the sides of the upper freezer drawer.

Pull out the upper freezer drawer.

Extract the ice-tray.

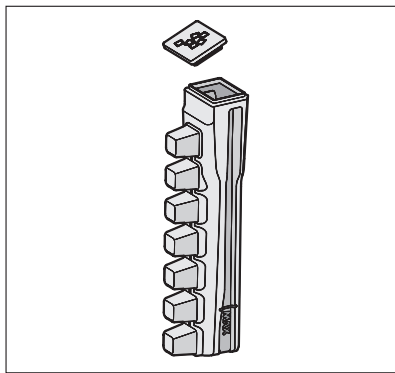


Pull out the tap. Fill with water to the limit indicated "MAX".

Refit the tap and insert the tray in the appropriate place.

To remove the ice cubes rotate the tray with the ice needles towards the top and hit on a rigid surface.

To simplify the release of the ice needles it is recommended to keep the closed tray under if possible luke warm water for a few seconds.



WARNING!

Do not use metallic instruments to remove the trays from the freezer.

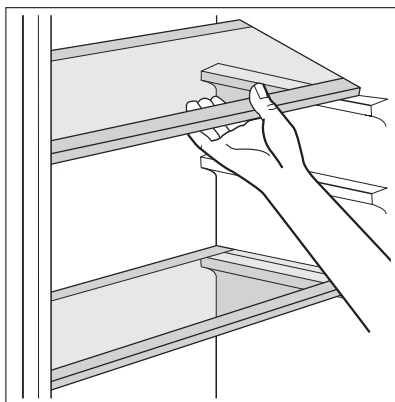
Thawing

Deep-frozen or frozen food, prior to being used, can be thawed in the refrigerator compartment or at room temperature, depending on the time available for this operation.

Small pieces may even be cooked still frozen, directly from the freezer: in this case, cooking will take longer.

Movable shelves

The walls of the refrigerator are equipped with a series of runners so that the shelves can be positioned as desired.



Positioning the door shelves

To permit storage of food packages of various sizes, the door shelves can be placed at different heights.

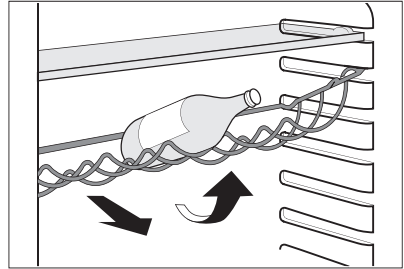
Bottle rack

Place the bottles (with the opening facing front) in the pre-positioned shelf.



If the shelf is positioned horizontally, place only closed bottles.

This bottle holder shelf can be tilted in order to store previously opened bottles. To obtain this result, pull the shelf up so it can rotate upwards and be placed on the next higher level.



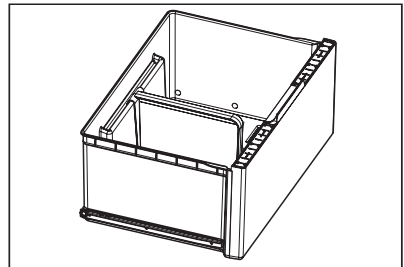
Vegetable drawer with humidity control

The drawer is suitable for storing fruit and vegetables.

There is a separator inside the drawer that can be placed in different positions to allow for the subdivision best suited to personal needs.

There is a grille (if foreseen) on the bottom of the drawer to separate the fruit and vegetables from any humidity that may form on the bottom surface.

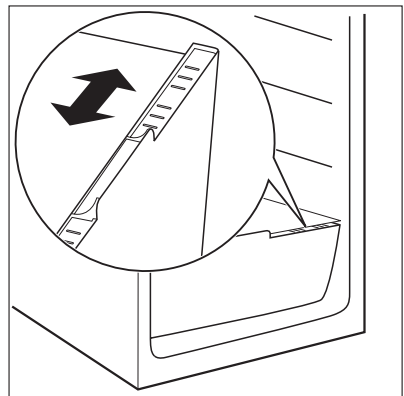
All parts inside the drawer can be removed for cleaning purposes.



To regulate the humidity in the vegetable drawer the glass shelf incorporates a device with slits (adjustable by means of a sliding lever).

When the ventilation slots are closed: the natural moisture content of the food in the fruit and vegetable compartments is preserved for longer.

When the ventilation slots are opened: more air circulation results in a lower air moisture content in the fruit and vegetable compartments.



Helpful hints and tips

Hints for energy saving

- Do not open the door frequently or leave it open longer than absolutely necessary.
- If the ambient temperature is high and the Temperature Regulator is set to low temperature and the appliance is fully loaded, the compressor may run continuously, causing frost or ice on the evaporator. If this happens, set the Temperature Regulator toward warmer settings to allow automatic defrosting and so a saving in electricity consumption.

Hints for fresh food refrigeration

To obtain the best performance:

- do not store warm food or evaporating liquids in the refrigerator
- do cover or wrap the food, particularly if it has a strong flavour
- position food so that air can circulate freely around it

Hints for refrigeration

Useful hints:

Meat (all types) : wrap in polythene bags and place on the glass shelf above the vegetable drawer.

For safety, store in this way only one or two days at the most.

Cooked foods, cold dishes, etc.: these should be covered and may be placed on any shelf.

Fruit and vegetables: these should be thoroughly cleaned and placed in the special drawer(s) provided.

Butter and cheese: these should be placed in special airtight containers or wrapped in aluminium foil or polythene bags to exclude as much air as possible.

Milk bottles: these should have a cap and should be stored in the bottle rack on the door.

Bananas, potatoes, onions and garlic, if not packed, must not be kept in the refrigerator.

Hints for freezing

To help you make the most of the freezing process, here are some important hints:

- the maximum quantity of food which can be frozen in 24 hrs. is shown on the rating plate;
- the freezing process takes 24 hours. No further food to be frozen should be added during this period;
- only freeze top quality, fresh and thoroughly cleaned, foodstuffs;
- prepare food in small portions to enable it to be rapidly and completely frozen and to make it possible subsequently to thaw only the quantity required;
- wrap up the food in aluminium foil or polythene and make sure that the packages are airtight;
- do not allow fresh, unfrozen food to touch food which is already frozen, thus avoiding a rise in temperature of the latter;
- lean foods store better and longer than fatty ones; salt reduces the storage life of food;
- water ices, if consumed immediately after removal from the freezer compartment, can possibly cause the skin to be freeze burnt;
- it is advisable to show the freezing in date on each individual pack to enable you to keep tab of the storage time.

Hints for storage of frozen food

To obtain the best performance from this appliance, you should:

- make sure that the commercially frozen foodstuffs were adequately stored by the retailer;
- be sure that frozen foodstuffs are transferred from the foodstore to the freezer in the shortest possible time;
- not open the door frequently or leave it open longer than absolutely necessary.
- Once defrosted, food deteriorates rapidly and cannot be refrozen.
- Do not exceed the storage period indicated by the food manufacturer.

Care and cleaning



CAUTION!

Unplug the appliance before carrying out any maintenance operation.



This appliance contains hydrocarbons in its cooling unit; maintenance and recharging must therefore only be carried out by authorized technicians.

Periodic cleaning

The equipment has to be cleaned regularly:

- clean the inside and accessories with lukewarm water and some neutral soap.
- regularly check the door seals and wipe clean to ensure they are clean and free from debris.
- rinse and dry thoroughly.



Do not pull, move or damage any pipes and/or cables inside the cabinet.

Never use detergents, abrasive powders, highly perfumed cleaning products or wax polishes to clean the interior as this will damage the surface and leave a strong odour.

Clean the condenser (black grill) and the compressor at the back of the appliance with a brush or a vacuum cleaner. This operation will improve the performance of the appliance and save electricity consumption.



Take care of not to damage the cooling system.

Many proprietary kitchen surface cleaners contain chemicals that can attack/damage the plastics used in this appliance. For this reason it is recommended that the outer casing of this appliance is only cleaned with warm water with a little washing-up liquid added. After cleaning, reconnect the equipment to the mains supply.

Replacing the Taste Guard filter

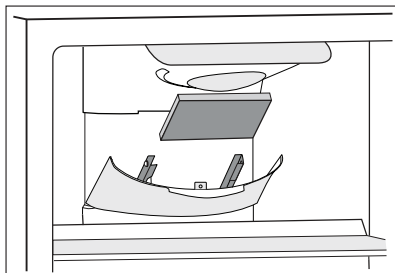
The Taste Guard filter helps to reduce the odours inside the fridge limiting the risk of unwanted aroma in sensitive food

To get the best performance the Taste Guard filter should be changed once every year. New active air filters can be purchased from your local dealer.

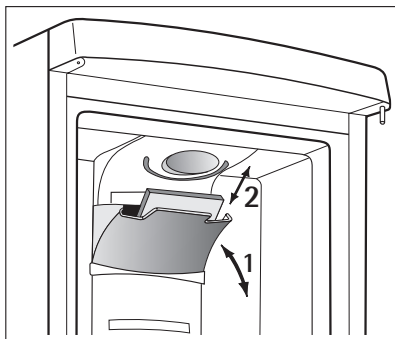
- The air filter is placed behind the flap and can be reached by pulling the flap outward

(1)

- pull out of the slot the exhausted air filter.



-



insert the new air filter in the slot (2)

- close the flap.

The air filter is a consumable accessory and as such is not covered by the guarantee.



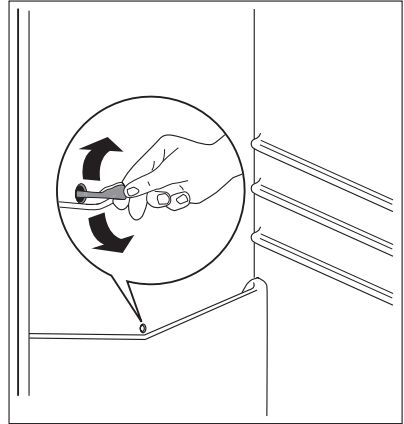
During the operation, always keep the air ventilation flap closed.

The air filter should be handled carefully to prevent its surface from being scratched.

Defrosting of the refrigerator

Frost is automatically eliminated from the evaporator of the refrigerator compartment every time the motor compressor stops, during normal use. The defrost water drains out through a trough into a special container at the back of the appliance, over the motor compressor, where it evaporates.

It is important to periodically clean the defrost water drain hole in the middle of the refrigerator compartment channel to prevent the water overflowing and dripping onto the food inside. Use the special cleaner provided, which you will find already inserted into the drain hole.



Defrosting of the freezer

The freezer compartment of this model, on the other hand, is a "no frost" type. This means that there is no buildup of frost when it is in operation, neither on the internal walls nor on the foods.

The absence of frost is due to the continuous circulation of cold air inside the compartment, driven by an automatically controlled fan.

Periods of non-operation

When the appliance is not in use for long periods, take the following precautions:

- **disconnect the appliance from electricity supply**
- remove all food
- defrost ⁴⁾ and clean the appliance and all accessories
- leave the door/doors ajar to prevent unpleasant smells.

If the cabinet will be kept on, ask somebody to check it once in a while to prevent the food inside from spoiling in case of a power failure.

What to do if...



WARNING!

Before troubleshooting, disconnect the mains plug from the mains socket. Only a qualified electrician or competent person must do the troubleshooting that is not in this manual.



There are some sounds during normal use (compressor, refrigerant circulation).

Problem	Possible cause	Solution
The appliance does not operate. The lamp does not operate.	The appliance is switched off.	Switch on the appliance.

4) If foreseen.

Problem	Possible cause	Solution
	The mains plug is not connected to the mains socket correctly.	Connect the mains plug to the mains socket correctly.
	The appliance has no power. There is no voltage in the mains socket.	Connect a different electrical appliance to the mains socket. Contact a qualified electrician.
The lamp does not work.	The lamp is defective.	Refer to "Replacing the lamp".
The compressor operates continually.	The temperature is not set correctly.	Set a higher temperature.
	The door is not closed correctly.	Refer to "Closing the door".
	The door has been opened too frequently.	Do not keep the door open longer than necessary.
	The product temperature is too high.	Let the product temperature decrease to room temperature before storage.
	The room temperature is too high.	Decrease the room temperature.
Water flows on the rear plate of the refrigerator.	During the automatic defrosting process, frost defrosts on the rear plate.	This is correct.
Water flows into the refrigerator.	The water outlet is clogged.	Clean the water outlet.
	Products prevent that water flows into the water collector.	Make sure that products do not touch the rear plate.
Water flows on the ground.	The melting water outlet does not flow in the evaporative tray above the compressor.	Attach the melting water outlet to the evaporative tray.
The temperature in the appliance is too low.	The temperature regulator is not set correctly.	Set a higher temperature.
The temperature in the appliance is too high.	The temperature regulator is not set correctly.	Set a lower temperature.
	The door is not closed correctly.	Refer to "Closing the door".
	The product temperature is too high.	Let the product temperature decrease to room temperature before storage.
	Many products are stored at the same time.	Store less products at the same time.
The temperature in the refrigerator is too high.	There is no cold air circulation in the appliance.	Make sure that there is cold air circulation in the appliance.
The temperature in the freezer is too high.	Products are too near to each other.	Store products so that there is cold air circulation.
There is too much frost.	Food is not wrapped correctly.	Wrap the food correctly.

Problem	Possible cause	Solution
	The door is not closed correctly.	Refer to "Closing the door".
	The temperature regulator is not set correctly.	Set a higher temperature.
Technical problems	electrical malfunction	Contact Customer Service Department

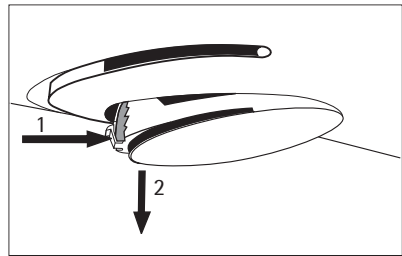
Replacing the lamp



CAUTION!

Disconnect the plug from the mains socket.

1. Press on the rear hook of the lamp cover by a screwdriver and at the same time pull and rotate the cover in the direction of the arrow.
2. Replace the lamp with one of the same power (the maximum power is shown on the light bulb cover).
3. Install the lamp cover by fixing it into its original position.
4. Connect the plug to the mains socket.
5. Open the door. Make sure that the light comes on.



Closing the door

1. Clean the door gaskets.
2. If necessary, adjust the door. Refer to "Installation".
3. If necessary, replace the defective door gaskets. Contact the Service Force Center.

Technical data

Dimension of the recess		
	Height	1950 mm
	Width	695 mm
	Depth	669 mm
Rising Time		20 h

The technical information are situated in the rating plate on the internal left side of the appliance and in the energy label.

Installation

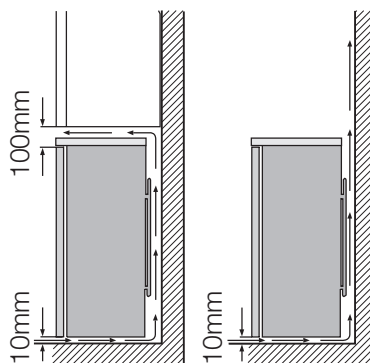
Location

The appliance should be installed well away from sources of heat such as radiators, boilers, direct sunlight etc. Ensure that air can circulate freely around the back of the cabinet. To ensure best performance, if the appliance is positioned below an overhanging wall unit, the minimum distance between the top of the cabinet and the wall unit must be at least 100 mm. Ideally, however, the appliance should not be positioned below overhanging wall units. Accurate levelling is ensured by one or more adjustable feet at the base of the cabinet. If the cabinet is placed in a corner and the side with the hinges facing the wall, the distance between the wall and the cabinet must be at least 10 mm to allow the door to open enough so that the shelves can be removed.



WARNING!

It must be possible to disconnect the appliance from the mains power supply; the plug must therefore be easily accessible after installation.



Positioning



WARNING!

If you are discarding an old appliance that has a lock or catch on the door, you must ensure that it is made unusable to prevent young children being trapped inside.



The appliance shall have the plug accessible after installation.

Install this appliance at a location where the ambient temperature corresponds to the climate class indicated on the rating plate of the appliance:

Climate class	Ambient temperature
SN	+10°C to +32°C
N	+16°C to +32°C
ST	+16°C to +38°C

Climate class	Ambient temperature
T	+16°C to + 43°C

Electrical connection

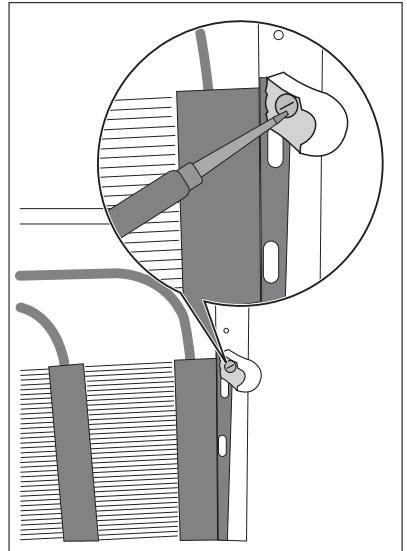
Before plugging in, ensure that the voltage and frequency shown on the rating plate correspond to your domestic power supply.

The appliance must be earthed. The power supply cable plug is provided with a contact for this purpose. If the domestic power supply socket is not earthed, connect the appliance to a separate earth in compliance with current regulations, consulting a qualified electrician. The manufacturer declines all responsibility if the above safety precautions are not observed.

This appliance complies with the E.E.C. Directives.

Rear spacers

Inside the appliance you find two spacers which must be fitted as shown in the figure. Slacken the screws and insert the spacer under the screw head, then retighten the screws.



Installation of the Taste Guard Filter

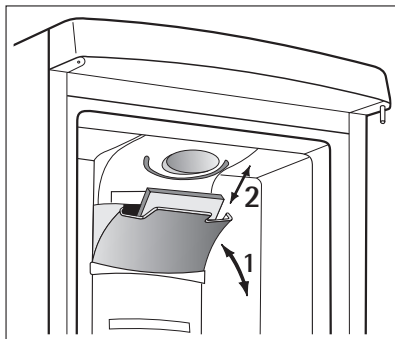
The Taste Guard Filter is an active carbon filter which absorbs bad odours and permits to maintain the best flavour and aroma for all foodstuffs without risk of odour cross contamination.

On delivery the carbon filter is in a plastic bag to maintain its duration and characteristics. The filter should be placed behind the flap before the appliance is turned on.

1. Pull the flap outwards (1)
2. Remove the filter from the plastic bag (2)
3. Insert the filter in the slot found in the back of the flap cover (2)
4. Close the flap cover



During operation, always keep the air ventilation flap closed.
The filter should be handled carefully so fragments do not loosen from the surface.



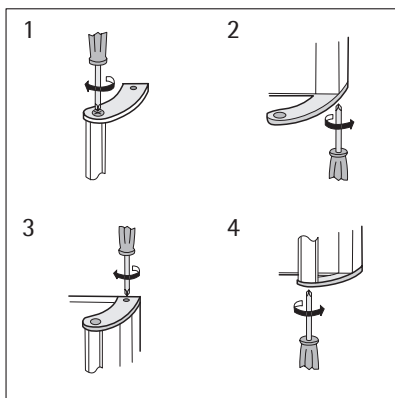
Fitting the door handles

The handles are supplied as a kit at delivery.

1. Screw the top handle bracket to the handle rod.
2. Fit the bottom handle bracket on the lower right-hand side of the door.
3. Fit the top handle bracket on the top right-hand side of the door.
4. Screw the handle rod to the bottom handle bracket.




Do not use excessive force and overtighten the screws (max. 2 Nm) as you may damage the door handles.



Door reversibility

The door reversibility is not possible.

Environmental concerns

The symbol  on the product or on its packaging indicates that this product may not be treated as household waste. Instead it should be taken to the appropriate collection point for the recycling of electrical and electronic equipment. By ensuring this product is disposed of correctly, you will help prevent potential negative consequences for the environment and human health, which could otherwise be caused by inappropriate waste handling of this product. For more detailed information about recycling of this product, please contact your local council, your household waste disposal service or the shop where you purchased the product.

